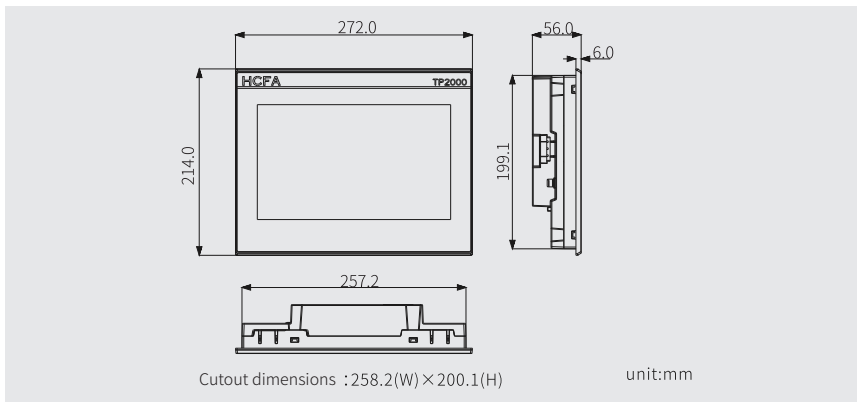


TP2510

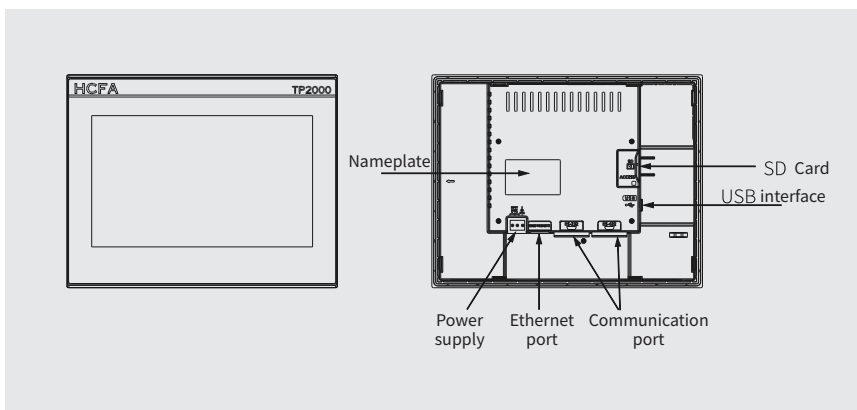
10.1" touch screen

HTEVISUAL

Appearance size



Spare parts name



Appearance size

Parameters	TL2510	TP2510	TP2510-E
Color display	24bit	24bit	24bit
Ethernet	×	×	✓
SD card	×	✓	✓
USB HOST	✓	✓	✓
USB DEVICE	✓	✓	✓
COM1/COM3	✓	✓	✓
COM2/COM4	×	✓	✓

Isolated power supply	Non-isolated power Surge protection	Isolated power Surge protection	Isolated power Surge protection
Isolated power supply	Non-isolated power Surge protection	Isolated power Surge protection	Isolated power Surge protection

Appearance size

Electrical specification

Power Consumption	<10W
Rated voltage	24VDC, Input Range: 18V-28VDC
Power protection	Isolated power supply block, Protect from surging and thunder strike
Allowable momentary power-off	<5mS
CE	Complied with EN61000-6-2:2005, EN61000-6-4:2007

RoHS	Surge Immunity ±4KV, EFT: ±4KV, ESD: 4KV, Air: 8KV
------	--

Electrical specification

Operation Temperature	0~50°C
Storage Temperature	-20~60°C
Operation Humidity	10~90%RH(Without condensation)
Vibration Resistance	10~25Hz (2G/30min in XY,Z direction)
Cooling	Natural air cooling

Others

Protection Level	Front IP65(With NEMA Panel), Back IP20
Housing Material	PBT+PC
Cutout Dimension	258.2 × 200.1 (mm)
Dimension	272 × 214 × 56 (mm)
Weight	About 1300g

Hardware specification

Display	10.1" TFT LCD
Resolution	800 × 480
Color	24bit
Brightness	300 cd/m ²
Backlight	LED
LCD lifetime	50000 hours
Touch Panel	4 wire resistive touch panel(Surface hardness 4H)
CPU	600MHz ARM Cortex A8
Memory	128M Flash + 128M DDR3
RTC	Built in real-time clock
Ethernet	10M/100M Ethernet port
USB Port	1个USB Device 2.0 Ethernet port 1个USB Host 2.0
Program Download	USB Host/ USB Slave/ SD card/ Ethernet are provided.

COM port	COM1/COM2: RS232/RS485/RS422; COM3/COM4: RS232
----------	---

Accessories

TP16-PLC-R4-8P-3M	Communication line between TP2000 series HMI and HCFA PLC, RS422, Round 8PIN, 3M
TP16-PLC-R2-9S-3M	Communication line between TP2000 series HMI and 232, RS232, 9PIN serial port(female), 3M